

A-LINE

Electric Panel Heater



Operating Instructions

White RAL 9016

AL75W
AL100W
AL150W
AL200W
AL250W

Anthracite RAL 7016

AL75A
AL100A
AL150A
AL200A
AL250A



If the temperature sensor is not functioning properly, you will see the symbol (shown left) on the display. Please contact the dealer or importer.

Important

**NEVER TOUCH YOUR HEATER OR ITS CASING WITH WET HANDS!
DO NOT COVER THE HEATER!**

- This product is only suitable for well insulated spaces or occasional use.
- When using any electrical device, be sure to follow basic safety precautions.

General Safety Instructions

PLEASE READ THE FOLLOWING INSTRUCTIONS CAREFULLY BEFORE USING THE APPLIANCE.

- Read this manual carefully before using the device.
- Check that the mains voltage corresponds to that of the device.
- Do not use the appliance if the cable is damaged.
- Keep this unit and its cord away from sources of heat, sharp objects, or anything that could damage it.
- If the supply cord is damaged, it must be replaced by the manufacturer, its service agent or similarly qualified persons in order to avoid a hazard.
- Before connecting the unit to the power supply, make sure that the switch is "Off".
- Turn off the power and isolate it from the power supply before cleaning or before working.
- Always place the unit on a stable, level surface and use it in an upright position.
- Do not operate the unit in areas where gasoline, paint or other flammable liquids may be used or stored.
- For indoor use only.
- To prevent a fire, do not block the air inlet and outlet in any way.
- Do not touch hot surfaces.
- Do not insert or allow foreign objects to enter any ventilation or exhaust opening as this will cause electric shock or fire and damage the unit.
- Always make sure your hands are dry before adjusting any switch or touching the unit.
- This appliance can be used by children aged from 8 years and above and persons with reduced physical, sensory or mental capabilities or lack of experience and knowledge if they have been given supervision or instruction concerning use of the appliance in a safe way and understand the hazards involved. Children shall not play with the appliance. Cleaning and user maintenance shall not be made by children without supervision.
- Children of less than 3 years should be kept away unless continuously supervised.
- Children aged from 3 years and less than 8 years shall only switch on/off the appliance provided that it has been placed or installed in its intended normal operating position and they have been given supervision or instruction concerning use of the appliance in a safe way and understand the hazards involved. Children aged from 3 years and less than 8 years shall not plug in, regulate and clean the appliance or perform user maintenance.

- **CAUTION — Some parts of this product can become very hot and cause burns. Particular attention has to be given where children and vulnerable people are present.**
- The main cause of overheating is due to dust deposits or residues in the unit. Make sure these foreign bodies are removed regularly. Isolate the unit from the network and clean it by vacuuming the air inlet and the grilles.
- The heater must not be located immediately below a socket-outlet.
- When the product is used as fixed heater: The heater is to be installed so that switches and other controls cannot be touched by a person in the bath or shower.
- **When the product is used as portable heater:**
- Do not use this heater in the immediate surroundings of a bath, a shower or a swimming pool.
- Do not use this heater if it has been dropped.
- Do not use if there are visible signs of damage to the heater.
- Use this heater on a horizontal and stable surface.
- **WARNING: Do not use this heater in small rooms when they are occupied by persons not capable of leaving the room on their own, unless constant supervision is provided.**
- **WARNING: To reduce the risk of fire, keep textiles, curtains, or any other flammable material a minimum distance of 1m from the air outlet.**

- **WARNING: In order to avoid overheating, do not cover the heater.**




For the information of installation and maintenance, refer to the “INSTALLATION” section and “MAINTENANCE” section.

- Do not use the unit with a timer, separate remote control system, or any other device that automatically turns on the unit, as there is a risk of fire if the unit is covered or placed incorrectly.
- **WARNING: In order to avoid any danger due to the accidental reset of the thermal circuit breaker, the device must not be powered via an external switch, such as a timer, or be connected to a circuit which is regularly switched on and off by the electricity supplier.**
- The appliance must not be disposed of with household waste; it must be brought to a local center for the recovery and recycling of electrical appliances.
- When installing the heater on its support, you must ensure that the electrical cable does not come into contact with the metal casing of the heater.

Description of Symbols

The use of symbols in this manual is intended to draw attention to possible risks. The safety symbols and explanations that accompany them must be fully understood. The warnings themselves do not eliminate the risks and cannot replace the correct measures of accident prevention.

	Complies with UK regulations applying to the product.
	Complies with European regulations applying to the product.
	WARNING: In order to avoid overheating, do not cover the heater.
	Electrical products should not be disposed of with household waste. Please recycle them at the collection points provided for this purpose. Contact the local authorities or your dealer for recycling advice.

Technical Characteristics

- LED display
- Temperature setting: 5-35°C
- 24 hours timer
- With remote control
- With WiFi control
- Open window function

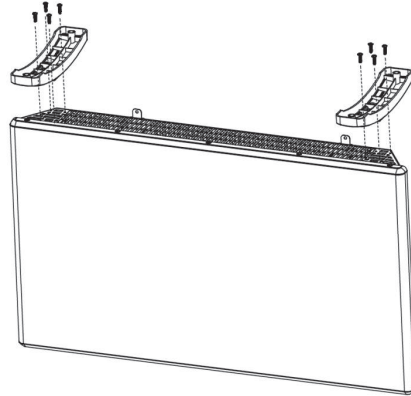
A-LINE		Dimensions without feet		Dimensions with feet		Voltage	Power	IP Rating
Model	Length	Depth	Height	Depth	Height			
AL75	540mm	98mm	400mm	220mm	436mm	230 V- 50 Hz	750W	IP24
AL100	540mm	98mm	400mm	220mm	436mm	230 V- 50 Hz	1000W	IP24
AL150	700mm	98mm	400mm	220mm	436mm	230 V- 50 Hz	1500W	IP24
AL200	860mm	98mm	400mm	220mm	436mm	230 V- 50 Hz	2000W	IP24
AL250	1020mm	98mm	400mm	220mm	436mm	230 V- 50 Hz	2500W	IP24

A-LINE

Installation

USE FLOOR-STANDING

1. Fit the foot onto the bottom of the body.
2. Fasten the foot with 4 screws.



USE WALL-MOUNTED

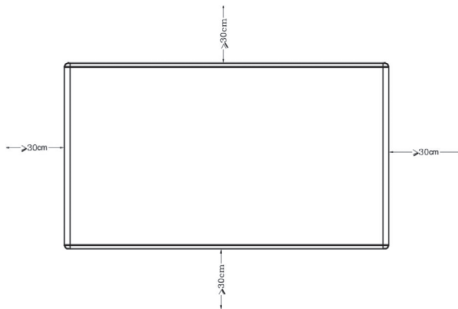


Figure 1



Figure 2

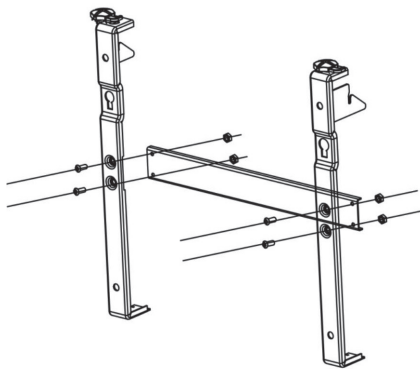


Figure 3

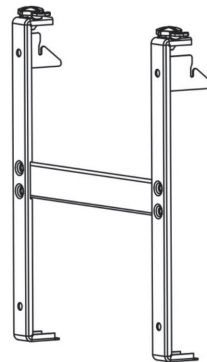


Figure 4

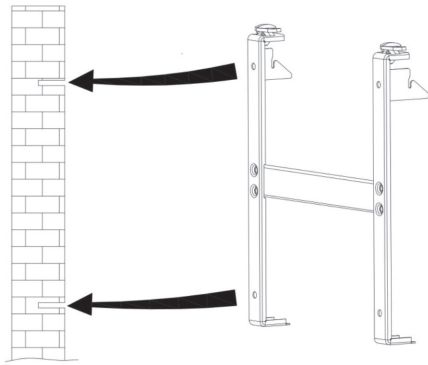


Figure 5

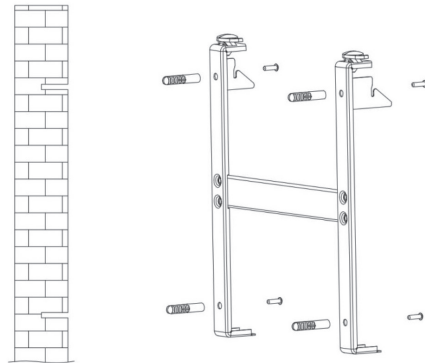


Figure 6

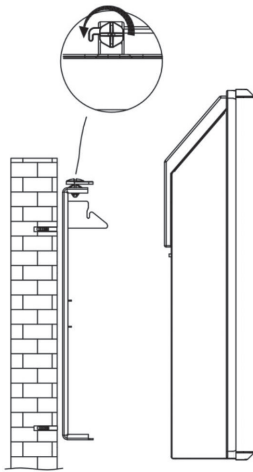


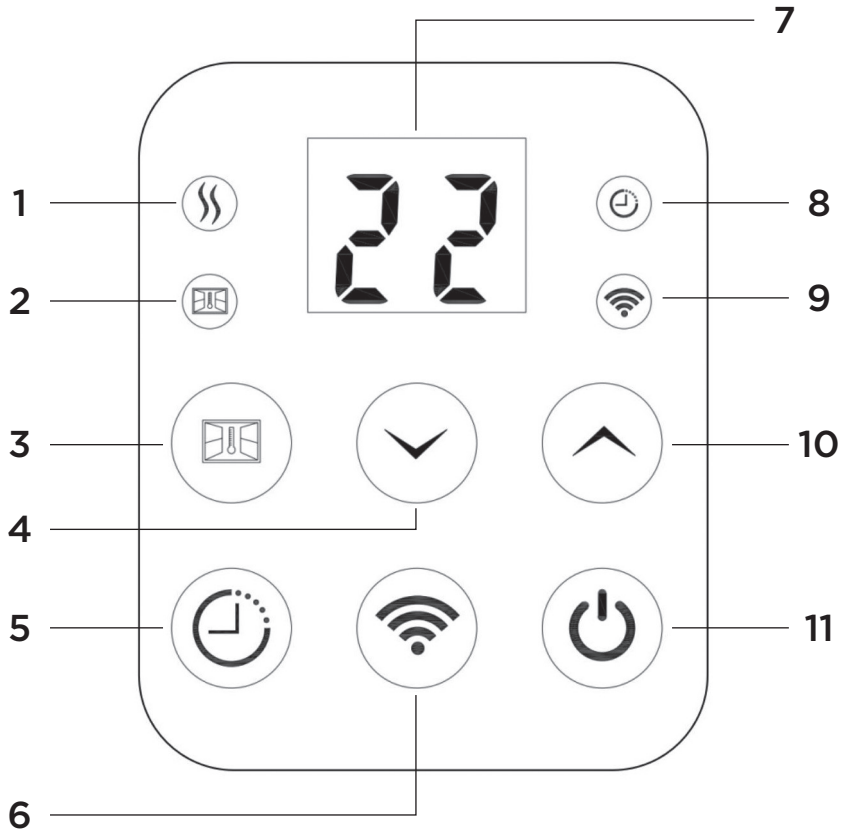
Figure 7

1. Be sure to keep the distance between the heater and floor, wall and so on at least 30cm as picture. (Figure 1)
2. Take out the wall mounted brackets from the package, and use the 4 screws and nuts to fix the bracket as H shape. (Figures 2, 3, 4)
3. Hang the bracket on the wall, mark the four hole positions, then drill the holes in the wall. (Figure 5)
4. Insert the wall plugs into the drilled holes and attach the bracket with 4 screws. (Figure 6)
5. Hang the heater on the bracket and tighten the plastic screw of the top bracket (clockwise). (Figure 7)

WARNING

Before starting the product, make sure that it is properly fixed to the wall. If the product is not level, problems may occur.




Control Panel



1	Heating indicator light
2	Open window light
3	Open window button
4	Decrease button
5	Timer button
6	WiFi button
7	Display
8	Timer indicator light
9	WiFi indicator light
10	Increase button
11	On/Standby button

Using

START USING

- Plug in power supply, the heater enter into standby mode, and show  on display.
- Press  button to turn on the heater, and the heater will enter into factory default state as the first use.
- The heating indicator light  is on if the heater is heating.
- Factory default state:
 - Free mode, temperature setting 22°C
 - Open window function: Off
 - Timer: Off

Note: If the power supply cuts off, the settings with the exception of the timer, will remain the same.

WIFI CONNECTION

Use TuyaSmart or Smart Life APP for iOS and Android. Search and download “TuyaSmart” or “Smart Life” APP from Apple store or Google play.

By connecting your heater with the iOS/Android device you can do the following:

- Set on/Standby
- Set comfort, ECO, anti-freeze mode
- Set temperature of Comfort/ECO mode
- Set timer
- Set open window function on/off
- Set weekly programs
- Set temperature calibration
- Set group (put heaters in one zone)
- Share the heater to other people

WIFI INDICATOR LIGHT INSTRUCTION

No Light	Off	No WiFi signal, the heater is not ready to connect
Green Light	Flashing 0.1 seconds on and 0.1 seconds off. Quick flash.	EZ mode
Green Light	Flashing 1 second on and 3 seconds off. Slow flash.	AP mode
Green Light	Keep on	The heater is connected to WiFi
Red Light	Keep on	The heater has a problem connecting to or finding the WiFi signal. Please do the following: <ul style="list-style-type: none">• Turn the heater OFF and ON again• Restart the WiFi router• Make sure it is under 2.4 GHz WiFi router

CONNECT WIFI

- There are two ways to connect WiFi: EZ mode and AP mode. Usually we recommend to connect WiFi by EZ mode, but if EZ mode doesn't connect successfully, you can try AP mode again.
- Factory default WiFi setting is WiFi indicator light EZ mode.
- Press and hold WiFi button for 3 seconds, change to AP mode.
- Press and hold WiFi button for 3 seconds again, change to EZ mode again. It means you can change EZ to AP or AP to EZ by press and hold WiFi button for 3 seconds.


DELETE WIFI

- If the heater is connected to WiFi, press and hold WiFi button for 3 seconds to delete WiFi.






HEATING MODE

- Temperature set 5 ~35°C by pressing  or  button.



24-HOUR TIMER

- Press  button to set timer from 0 to 24 hours.
- In any mode, if the timer is set, the heater will turn off when time is up.

OPEN WINDOW FUNCTION

- The heater has an open window function.
- Default setting of open window function is closed.
- In standby mode, press and hold  button for 5 seconds, display show **FO**, then press  button to set open window function on, display show **ON**, and press  button to set open window function off, display show **OF**, then press  button to save setting, or wait 15 seconds to save automatically.
- **Open window function description:**
 1. If you open a window widely in the space where the heater is located and the temperature drops 2°C or more than 2°C in two minutes, a sensor will detect the sharp drop in temperature. The heater will switch off automatically and show **FO** in display.
 2. The heater will reset to the previous mode after 10 minutes. However you can manually restart the heater by pressing  button, and the heater will reset to the previous mode. The icon **FO** disappears on display.

RESETTING THE HEATER TO FACTORY DEFAULT

- Unplug the power supply and plug in again, then press and hold both  and  buttons at the same time within 3 seconds after the screen is bright.

Maintenance

- Always isolate the unit from the power supply and let it cool before any maintenance.
- Clean the unit at least once a year with a vacuum cleaner to remove any dust.
- Clean the outside of the device by wiping with a damp cloth and drying with a dry cloth. Never immerse the appliance in water and never allow water to enter the unit.

Recycling

Processing of electric and electronic equipment at the end of their service life (applicable in member countries of the European Union and other European countries operating a selective waste collection system).



This symbol, affixed to the product or its packaging, indicates that the product must not be processed with household waste. It must be brought to an electric and electronic waste collection point for recycling and disposal.

By ensuring the appropriate disposal of this product you also help in preventing potentially negative consequences for the environment and human health. The recycling of materials helps preserve our natural resources.

For further information regarding the recycling of this product, please contact your municipality, local waste disposal centre or the store where the product was purchased.

INFORMATION REQUIREMENTS FOR ELECTRIC LOCAL SPACE HEATERS

Models: AL75W and AL75A

Item	Symbol	Value	Unit	Item	Unit
Heat Output				Type of heat input, for electric storage local space heaters only (select one)	
Nominal heat output	P _{nom}	0.75	kW	Manual heat charge control, with integrated thermostat	No
Minimum heat output (indicative)	P _{min}	0.75	kW	Manual heat charge control with room and/or outdoor temperature feedback	No
Maximum continuous heat output	P _{max,c}	0.75	kW	Electronic heat charge control with room and/or outdoor temperature feedback	No
Auxiliary electricity consumption				Fan assisted heat output	No
At nominal heat output	e _{lmax}	n/a	kW	Type of heat output/room temperature control (select one)	
At minimum heat output	e _{lmin}	n/a	kW	Single stage heat output and no room temperature control	No
In standby mode	e _{lSB}	n/a	kW	Two or more manual stages, no room temperature control	No
				With mechanic thermostat room temperature control	No
				With electronic room temperature control	No
				Electronic room temperature control plus day timer	No
				Electronic room temperature control plus week timer	Yes
				Other control options (multiple selections possible)	
				Room temperature control, with presence detection	No
				Room temperature control, with open window detection	Yes
				With distance control option	Yes
				With adaptive start control	No
				With working time limitation	No
				With black bulb sensor	No

INFORMATION REQUIREMENTS FOR ELECTRIC LOCAL SPACE HEATERS

Models: AL100W and AL100A

Item	Symbol	Value	Unit	Item	Unit
Heat Output				Type of heat input, for electric storage local space heaters only (select one)	
Nominal heat output	P _{nom}	1.0	kW	Manual heat charge control, with integrated thermostat	No
Minimum heat output (indicative)	P _{min}	1.0	kW	Manual heat charge control with room and/or outdoor temperature feedback	No
Maximum continuous heat output	P _{max,c}	1.0	kW	Electronic heat charge control with room and/or outdoor temperature feedback	No
Auxiliary electricity consumption				Fan assisted heat output	No
At nominal heat output	e _{lmax}	n/a	kW	Type of heat output/room temperature control (select one)	
At minimum heat output	e _{lmin}	n/a	kW	Single stage heat output and no room temperature control	No
In standby mode	e _{lSB}	n/a	kW	Two or more manual stages, no room temperature control	No
				With mechanic thermostat room temperature control	No
				With electronic room temperature control	No
				Electronic room temperature control plus day timer	No
				Electronic room temperature control plus week timer	Yes
				Other control options (multiple selections possible)	
				Room temperature control, with presence detection	No
				Room temperature control, with open window detection	Yes
				With distance control option	Yes
				With adaptive start control	No
				With working time limitation	No
				With black bulb sensor	No

INFORMATION REQUIREMENTS FOR ELECTRIC LOCAL SPACE HEATERS

Models: AL150W and AL150A

Item	Symbol	Value	Unit	Item	Unit
Heat Output				Type of heat input, for electric storage local space heaters only (select one)	
Nominal heat output	P _{nom}	1.5	kW	Manual heat charge control, with integrated thermostat	No
Minimum heat output (indicative)	P _{min}	1.5	kW	Manual heat charge control with room and/or outdoor temperature feedback	No
Maximum continuous heat output	P _{max,c}	1.5	kW	Electronic heat charge control with room and/or outdoor temperature feedback	No
Auxiliary electricity consumption				Fan assisted heat output	No
At nominal heat output	e _{lmax}	n/a	kW	Type of heat output/room temperature control (select one)	
At minimum heat output	e _{lmin}	n/a	kW	Single stage heat output and no room temperature control	No
In standby mode	e _{lSB}	n/a	kW	Two or more manual stages, no room temperature control	No
				With mechanic thermostat room temperature control	No
				With electronic room temperature control	No
				Electronic room temperature control plus day timer	No
				Electronic room temperature control plus week timer	Yes
				Other control options (multiple selections possible)	
				Room temperature control, with presence detection	No
				Room temperature control, with open window detection	Yes
				With distance control option	Yes
				With adaptive start control	No
				With working time limitation	No
				With black bulb sensor	No

INFORMATION REQUIREMENTS FOR ELECTRIC LOCAL SPACE HEATERS

Models: AL200W and AL200A

Item	Symbol	Value	Unit	Item	Unit
Heat Output				Type of heat input, for electric storage local space heaters only (select one)	
Nominal heat output	P _{nom}	2.0	kW	Manual heat charge control, with integrated thermostat	No
Minimum heat output (indicative)	P _{min}	2.0	kW	Manual heat charge control with room and/or outdoor temperature feedback	No
Maximum continuous heat output	P _{max,c}	2.0	kW	Electronic heat charge control with room and/or outdoor temperature feedback	No
Auxiliary electricity consumption				Fan assisted heat output	No
At nominal heat output	e _{lmax}	n/a	kW	Type of heat output/room temperature control (select one)	
At minimum heat output	e _{lmin}	n/a	kW	Single stage heat output and no room temperature control	No
In standby mode	e _{lSB}	n/a	kW	Two or more manual stages, no room temperature control	No
				With mechanic thermostat room temperature control	No
				With electronic room temperature control	No
				Electronic room temperature control plus day timer	No
				Electronic room temperature control plus week timer	Yes
				Other control options (multiple selections possible)	
				Room temperature control, with presence detection	No
				Room temperature control, with open window detection	Yes
				With distance control option	Yes
				With adaptive start control	No
				With working time limitation	No
				With black bulb sensor	No

INFORMATION REQUIREMENTS FOR ELECTRIC LOCAL SPACE HEATERS

Models: AL250W and AL250A

Item	Symbol	Value	Unit	Item	Unit
Heat Output				Type of heat input, for electric storage local space heaters only (select one)	
Nominal heat output	P _{nom}	2.5	kW	Manual heat charge control, with integrated thermostat	No
Minimum heat output (indicative)	P _{min}	2.5	kW	Manual heat charge control with room and/or outdoor temperature feedback	No
Maximum continuous heat output	P _{max,c}	2.5	kW	Electronic heat charge control with room and/or outdoor temperature feedback	No
Auxiliary electricity consumption				Fan assisted heat output	No
At nominal heat output	e _{lmax}	n/a	kW	Type of heat output/room temperature control (select one)	
At minimum heat output	e _{lmin}	n/a	kW	Single stage heat output and no room temperature control	No
In standby mode	e _{lSB}	n/a	kW	Two or more manual stages, no room temperature control	No
				With mechanic thermostat room temperature control	No
				With electronic room temperature control	No
				Electronic room temperature control plus day timer	No
				Electronic room temperature control plus week timer	Yes
				Other control options (multiple selections possible)	
				Room temperature control, with presence detection	No
				Room temperature control, with open window detection	Yes
				With distance control option	Yes
				With adaptive start control	No
				With working time limitation	No
				With black bulb sensor	No



Pitacs Limited
Bradbourne Point, Bradbourne Drive
Tilbrook, Milton Keynes MK7 8AT UK

T: +44 (0)1908 010333

E: heating-sales@pitacs.com

W: www.pitacs.com

Pitacs Heating is a division of Pitacs Limited

AL-INST-V1 Printed June 2023

