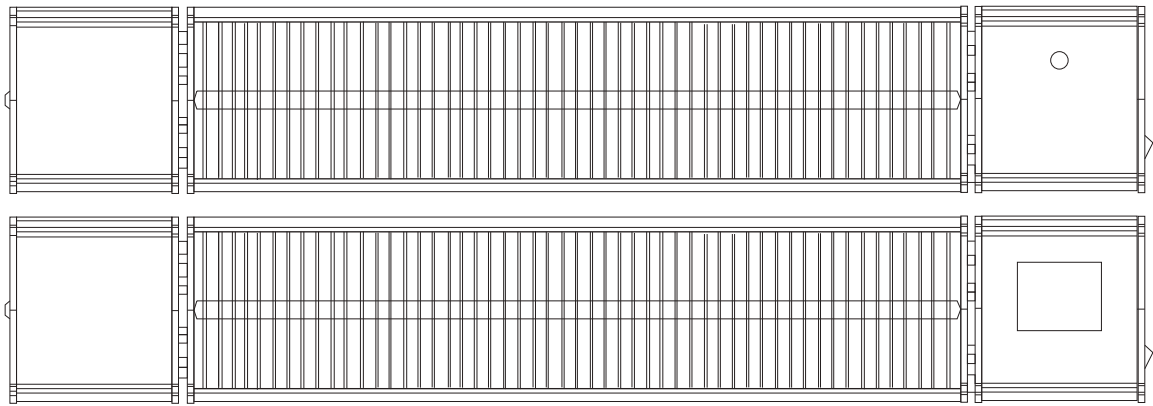


MIRRORSTONE

INFRARED HEATING

ATHENA INFRARED BAR HEATER MANUAL



MS-ATH-12J/MS-ATH-24J/MS-ATH-12WB/MS-ATH-24WB

Please read instructions carefully before use.
Remote control not available with all models.



CONTENTS

| | |
|--|----|
| 1. Intro | 3 |
| 2. Important Safeguards | 3 |
| 3. Installation Guide | 5 |
| 4. Instruction For Remote Control Variants | 8 |
| 5. Wi-Fi Operation | 9 |
| 6. Using The 7-day Timer With Your Heater | 12 |
| 7. Warning | 14 |

INTRO

Thank you for purchasing this Mirrorstone Infrared heater.

To get the most out of your new heater, please make sure you read this manual carefully before doing anything. Keep it in a safe place for future reference.

Mirrorstone and its affiliated companies are not liable for any damages that result due to the misuse of this heater, or a failure to comply with the instructions provided in this manual.

IMPORTANT SAFEGUARDS

Please abide by the following safety precautions when using the heater, in order to minimise the risk of fire, electrical shock, injury or property damage:

- Do not cover the heater. This will prevent it from overheating.
- If any material ends up covering the heat, or close to the heating element, stop using it immediately. Disconnect the heater from the mains power, then allow it adequate time to cool down. Once it has done so, remove any foreign material from the housing of the heater and the heating element before switching it on again.
- If the heater is being used in areas with high salt concentrations, like near the sea for example, then over time, salt, alkali, crystals and other foreign materials may begin to collect on the housing of the heater or on the heating element. In the event of this happening, you should stop using the heater immediately, disconnecting it from the mains power. After disconnecting the heater from the mains, allow the heater adequate time to cool down. Once the heater has cooled down, ensure that any foreign material has been cleared from the housing of the heater, and from the heating element.
- Due to the intensity of the heat produced by the heater, the front should be placed a minimum of 1.5 metres away from any flammable materials, such as furniture, pillows, bedding, paper, clothes and curtains. Ensure that there is enough room either side of where the heater is installed too.
- Please ensure that the heater is installed at a minimum height of 1.8 metres. This heater should only be used with a 220-240V AC power supply. Please use the correct power supply with this heater for safe usage.
- Please note that all Athena heaters must be connected to either a 10A mains supply, 13A

fused spur or standard 3-pin plug socket. Please consult a qualified electrician before using the heater for anything other than home/domestic use.

- The heater should not be operated or used by vulnerable people, including children or the elderly, unless there is an adult present who is responsible for their safety, who can either use the heater on their behalf, or ensure that the heater is being used in the correct manner by the vulnerable person.
- Do not leave children unattended with the heater.
- The fire protection grille cover on the front of the heater is to prevent direct contact with the heating element. When using the heater, the fire protection grille cover must be in place.
- The heater must be grounded adequately through a safe and properly grounded outlet.
- When in use, please ensure that the plug, socket and heater are free of dust and dirt.
- When disconnecting the heater from the mains supply, please turn off the switch at the mains socket, then unplug the heater by pulling the plug, not the power cord. Do not operate the heater or your mains supply with wet hands.
- Do not extend the power cord.
- Check the power cord regularly for wear and damage. Should there be any damage to the power cord, plug or socket, do not use the heater. The power cord should be replaced or repaired by either the manufacturer or a qualified electrician.
- Do not use a heater that has sustained any damage or been discarded under any circumstances.
- The heater should not be installed directly above the mains power supply or socket.
- The power cord should be safely tucked away behind the heater when in use, and should not be placed in front of the heater, or hung off it.
- Do not use the heater in areas with gasoline, paint or other flammable materials are stored.
- If the heater is installed in a bathroom, please ensure it is installed as far away as possible from any bathtub, shower, sink or toilet. The heater should not be installed in such a location where it could fall into a bathtub or any other water container.
- Take extra care when leaving the heater running whilst unattended, or when asleep.
- Do not insert anything into the heater.
- Do not touch the heater when in use, and ensure that the heater has been off for a considerable length of time before touching it.
- Should you need to move the heater, please ensure you disconnect it from the mains supply. You should also give it ample time to cool down before moving it.

| Model | Voltage | Amps | Power | Product Size |
|-------------|-------------|------|-------|--------------|
| MS-ATH-12J | 220-240V AC | 5A | 1200W | 794*160*88mm |
| MS-ATH-12WB | 220-240V AC | 5A | 1200W | 794*160*88mm |
| MS-ATH-24J | 220-240V AC | 10A | 2400W | 994*160*88mm |
| MS-ATH-24WB | 220-240V AC | 10A | 2400W | 994*160*88mm |

INSTALLATION GUIDE

This heater should be installed by a qualified electrician. Before and during the installation, please ensure that the heater is disconnected from the power, and that the heater has cooled down if it has been on.

The heater can be installed both horizontally and vertically. The heater must be installed at a minimum height of 1.8m above the floor, or at such a height that it cannot be touched directly while on.

When installing on the wall, ensure that the heater is installed at an angle no more than 90° in relation to the wall, and no less than 45° in relation to the wall.

When installing the heater on the ceiling, ensure that it is either facing directly downwards, or at an angle no less than 45° in relation to the ceiling.

When installing the heater vertically, please ensure that the power cord is at the bottom of the heater.

When the heater is on, the body of the heater will increase, so please ensure that the power cord is tucked away safely and never comes into contact with the body of the heater.

Do not install the heater near any flammable materials.

Ensure that the heater is installed at a minimum of 150mm away from ceilings and walls. For outdoor installations, please use a weatherproof power socket suitable for outdoor use.

Before drilling into any walls for installation, please ensure there are no wires, water pipes or gas pipes in the area where the heater is being installed.

The heater must be installed using the mounting brackets provided with the heater from the manufacturer.

Contents:

- (A) 4 X wall brackets
- (B) 2 x 15mm screw
- (C) 2 x large wing nut
- (D) 4 x small wing nut
- (E) 4 x 60mm screw
- (F) 4 x large wall plugs
- (G) 2 x 12mm screw
- (H) 2 x small wall plugs

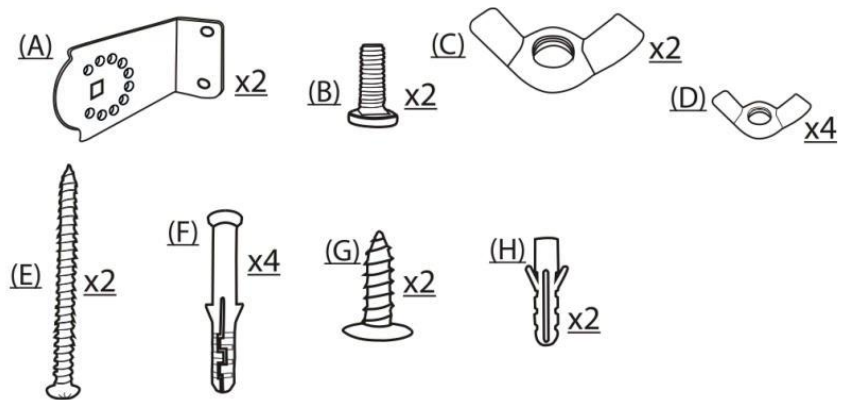
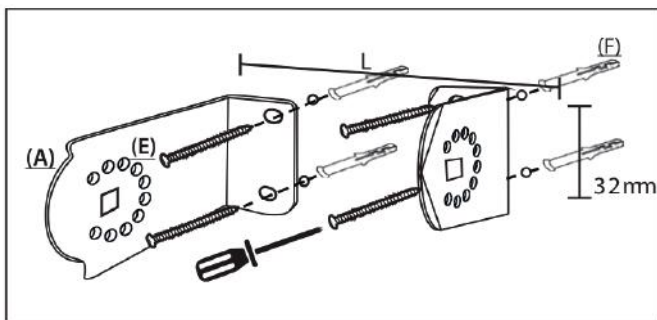


Figure A:



Remove the accessories from the accessory bag. Drill two holes in the wall, each with an 8mm diameter and depth of approximately 70mm, 32mm apart vertically. Another two holes identical to this should be drilled no further than 450mm away horizontally. Install the large wall plugs (F) into the holes, and then mount the wall bracket (A) onto the wall using the 60mm screws (E).

Figure B:

Take the remaining two wall brackets (A), and affix them to the back of the bar heater using the screws already on its back, using the small wing nuts (D).

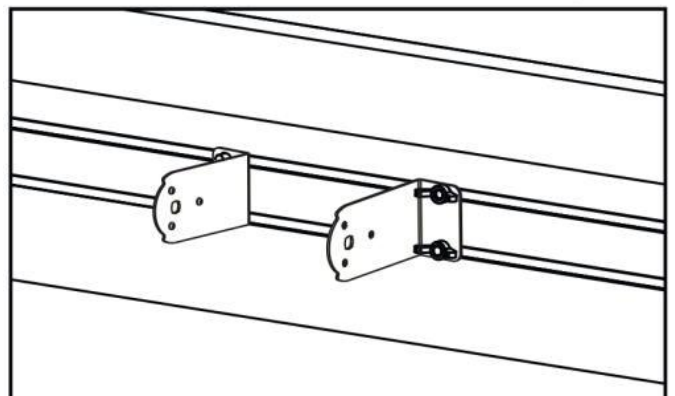
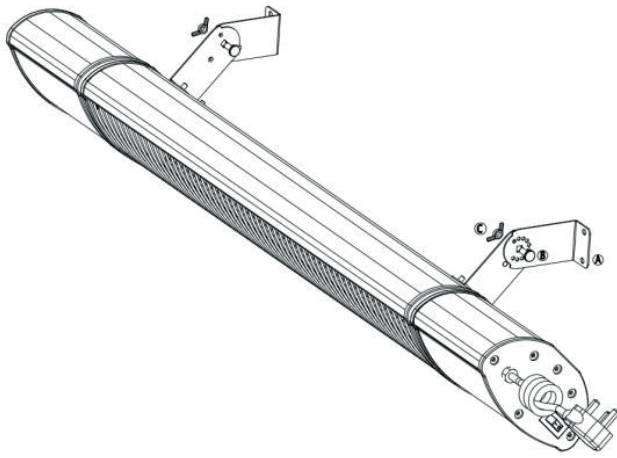


Figure C:

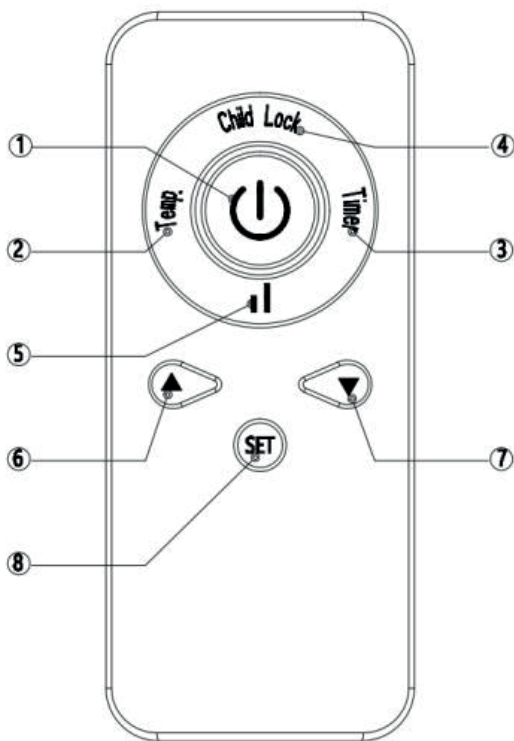


Using the 15mm screw (B) and large wing nut (C), join the brackets on the wall to the brackets on the back of the bar heater, tilting the angle to your desired setting, and tightening the brackets using the wing nut.

INSTRUCTION FOR REMOTE CONTROL VARIANTS

If you have a remote controllable bar heater (Models MS-ATH-12W and MS-ATH-24W), this section will show you how to pair your heater with the included remote and your Wi-Fi signal.

Please note: That the remote control is only supplied with the MS-ATH-12WB and MS-ATH-24WB models. If you have purchased a non-remote model (MS-ATH-12J or MS-ATH-24J), you will not have a remote control included in the box.



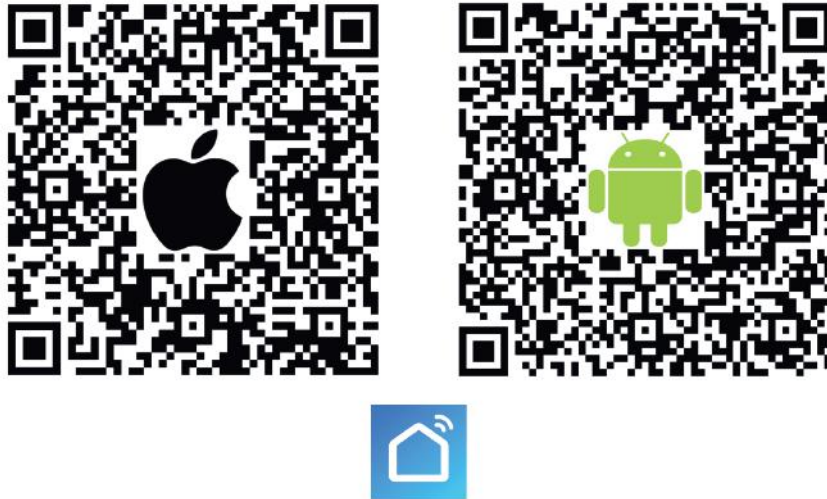
Remote Control

1. Power on/off buttons
2. Temperature button
3. Timer button
4. Child lock button
5. High/Low switch buttons
6. Up button
7. Down button
8. Set button

- Plug the heater into the mains power, ensuring that the socket matches the voltage and current of the rating label on the back of the panel.
- Press the On/off button to switch the heater on and off.
- Use the Up button and Down button to alter the desired temperature. The lowest possible temperature is 5°C, and the highest temperature is 45°C
- Press the Power High/Low switch buttons to switch between the four levels of power. This will alter the intensity of heat emitted from the bar heater.
- Pressing the Timer button will open the timer settings. You can select any time range between 1 hours and 24 hours, in 1-hour increments. When you are happy with your selection, leave the remote for 5 seconds and your timer setting will lock in. The timer icon will appear on the screen to indicate that it has been applied.

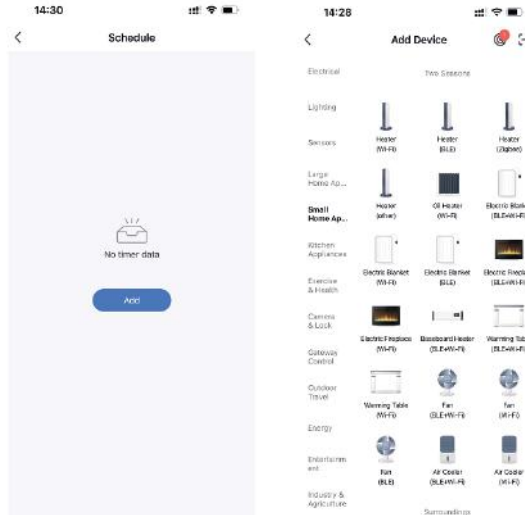
-
- To lock the heater, press the Set button, followed by the Child Lock button. You will see a square lock icon on the screen, and none of the buttons will be operational while it is locked. To unlock the heater, you can simply repeat the process, pressing Set followed by Child lock.
 - Pressing the Set button twice will switch everything off on the screen except for the heating on icon. Pressing any button will switch the display back on.
 - Pressing the Set button followed by the Timer button will toggle the display between Celsius to Fahrenheit. Fahrenheit range is 40-112°, Celsius range is 4-45°C
 - Pressing the Set button followed by the Up button will switch Body Sensing mode on. The bar heater will now begin to detect moving objects in the area, and will only operate as long as it can sense movement. If the bar heater does not detect any movement for 2 minutes, it will switch off.
 - Pressing the Set button followed by the Down button resets the Wi-Fi setting for the Bar Heater. Once reset, the Wi-Fi symbol will begin to flash on the display.
 - By default, the heater comes with open window detection, where if the heater detects a drop in temperature by 3°C or more within a 2 minute time window, it will automatically switch off to conserve energy and increase efficiency. When this happens, the display will flash and there will be a clicking sound. To override this, simply use the remote and switch the heater back on.

WI-FI OPERATION

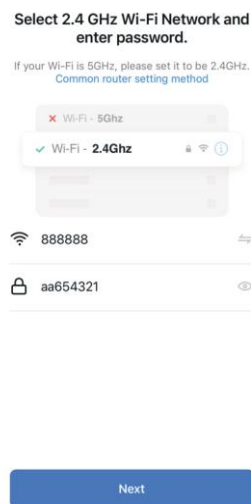


1. Connect your smartphone or tablet to your Wi-Fi network. (The wireless network must be 2.4GHz. All Wi-Fi routers have a 2.4GHz band, however, some newer routers are dual band with both 2.4GHz and 5GHz. When scanning your available networks, if you see a single network belonging to you, then this will be the correct band. If you see two networks, the name of the network should help you identify which band it belongs to, so a 2.4GHz network will have 24G, 2.4, 24 or something similar in the name, whilst the 5GHz network will have 5 or 5G in the name).
2. Scan the QR code on the next page using your phone or tablet to download the Smart Life app, or simply search 'smart life' in your app store.
3. If you don't already have an account, set one up using either your phone number or email address by clicking Register. Keep your password in a safe place.

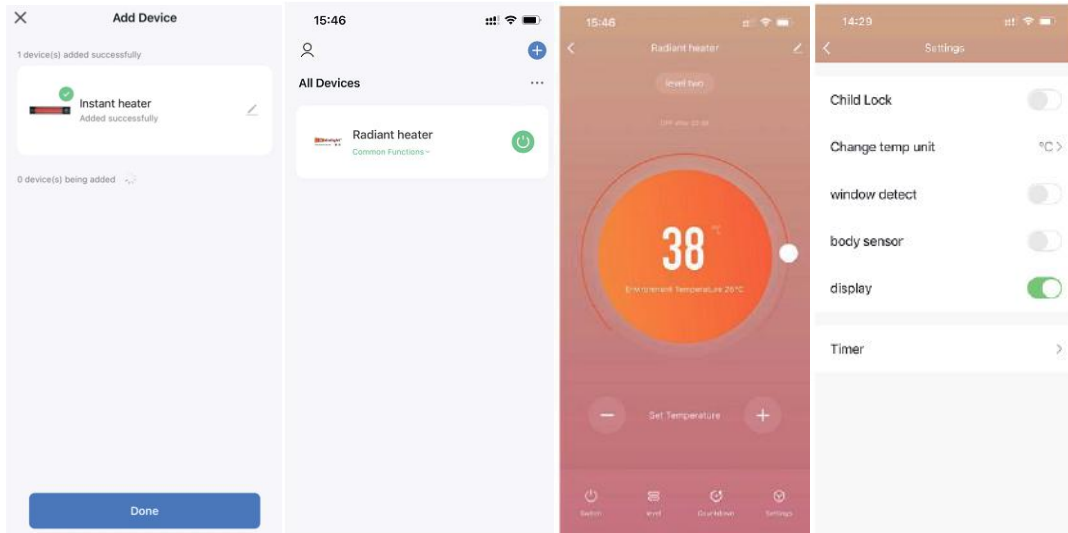
- 4. Once you're set up, click either Add Device in the centre of the screen, or the + icon in the top right corner. On the next screen, under the Small Home Appliances category on the left, scroll down and select "Heater" in the Life subcategory.



- 5. On your remote, press the Set button followed by the Down to reset the Wi-Fi setting for the Bar Heater. You should see the Wi-Fi indicator begin to blink rapidly on the heater.
- 6. Now on the app, confirm that the light is blinking rapidly, and enter your Wi-Fi network information (the name of the network and the password).



7. The app will now scan for the heater, and connect once it has paired.



8. Confirm on the next screen that the LED light is blinking.

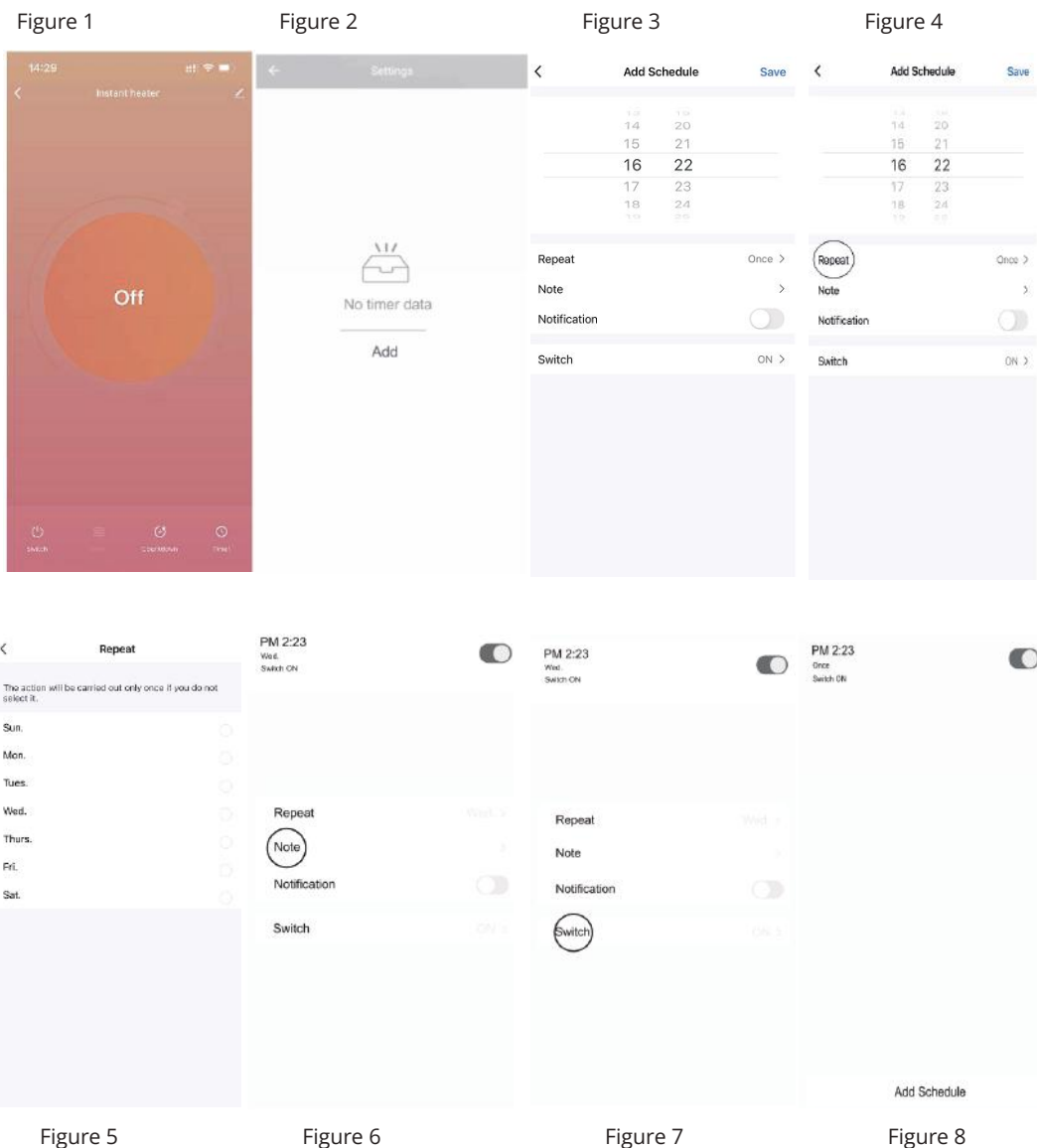
9. Enter your Wi-Fi network details on the next screen (network name and password), before connecting your phone to a new Wi-Fi network named "SmartLife_XXXX" where the "XXXX" will be randomised numbers.

10. Once you're connected to "SmartLife_XXXX", click the button that says Confirm the hot spot, next, and the app will begin attempts to connect to the wireless temperature Sensor.

11. Once connected, you will see "Device added successfully" on your screen, and you will see the control menu on your screen.

USING THE 7-DAY TIMER WITH YOUR HEATER

1. On the home screen of the Smart Life app, press the Timer button in the bottom right corner.
2. Then, press Add in the middle of your screen.
3. On the next screen, you'll be able to choose your timer settings.
4. Use the sliders at the top of the screen to set what time you want your heater to switch on or off.
5. Press the Repeat button to set which days you would like the timer to occur on, if any.
6. Press the Note button to set a note for that particular timer setting.
7. Press the Switch button to set whether you want the heater to switch on or off at the time you have set.



WARNING

- If the inside of the heater becomes covered or clogged up with dust or dirt, please have it cleaned from a qualified service engineer, and do not operate the heater in this state.
- Only clean the exterior of the heater.
- When cleaning the heater, always disconnect the heater from the mains supply, and give the heater adequate time to cool down before cleaning it.
- Do not use solvent cleaners or abrasive materials when cleaning the heater, as this can damage the exterior. Instead, use a mildly damp cloth.
- Do not touch the heating element with your fingers. This can cause damage to the heating element, and carries a high risk of injury to you.
- Do not attempt the repair or adjustment of any mechanical functions of this heater.
- If the heater is damaged or defective, it must be returned to the manufacturer or repaired by a qualified professional, as there are many non-user-serviceable parts in the heater.

MIRRORSTONE

INFRARED HEATING



sales@mirrorstone.co.uk

www.mirrorstoneheating.co.uk

86 Scudamore Road Leicester, LE3 1UQ

+44 (0) 116 436 2250