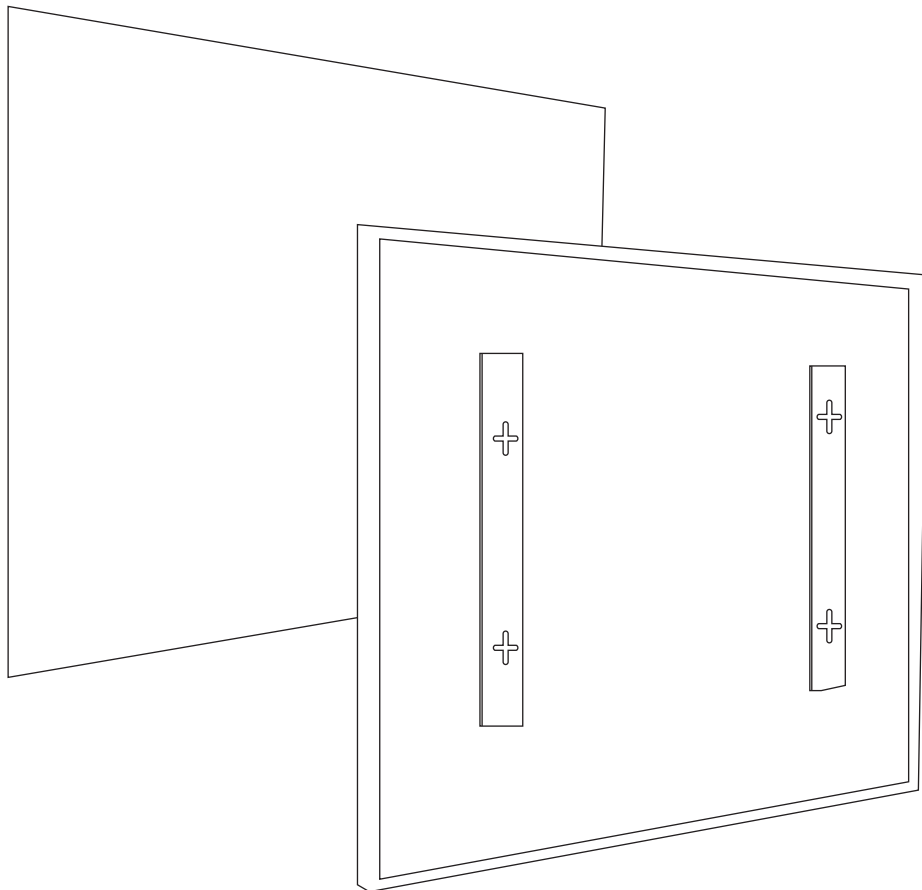


MIRRORSTONE

INFRARED HEATING

PREMIUM FRAMELESS INFRARED HEATING PANELS



CONTENTS

1. Intro	3
2. Precautions	4
3. Specs Table	5
4. Ceiling Bracket Installation (Separately Sold)	6
5. Included In The Box	7
6. Device Structure	8
7. Wall Installation	9
8. Maintenance & Servicing	10
9. Troubleshooting	11
10. Disposal	12

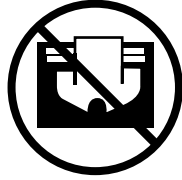
INTRO

Thank you for purchasing your new infrared heater. When used properly, it should provide you with plenty of eco-friendly, energy saving infrared heat for many years to come.

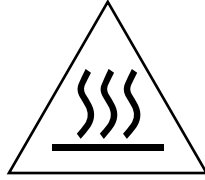
Please keep this manual safe for future reference. It contains lots of important information that will help you manage and look after your panel and ensure it lasts for as long as possible.

Before doing anything with your panel, please carefully read the precautions on the following page. Failure to do so may result in injury, or the voiding of your warranty.

PRECAUTIONS



No Covering



Do Not Touch



Do Not Spray

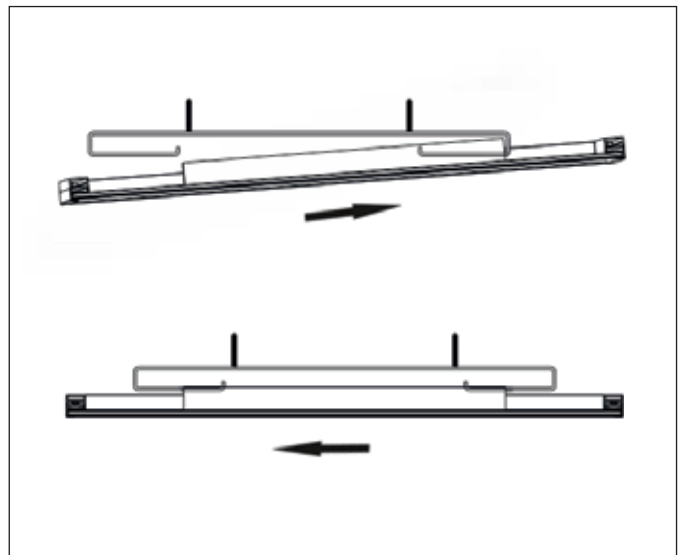
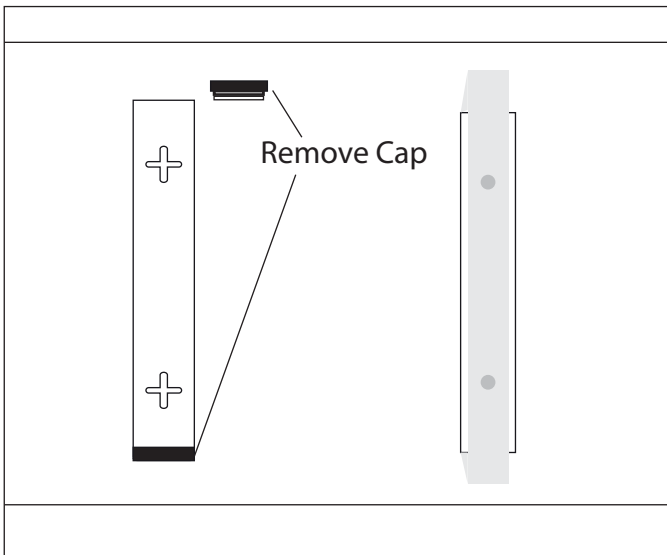
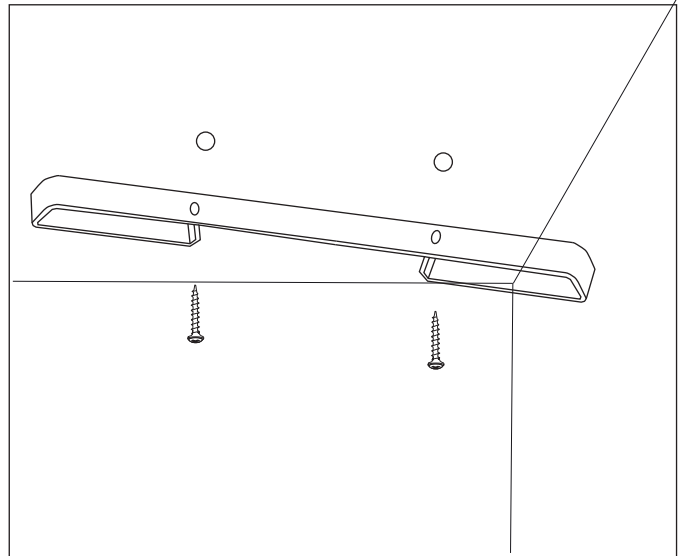
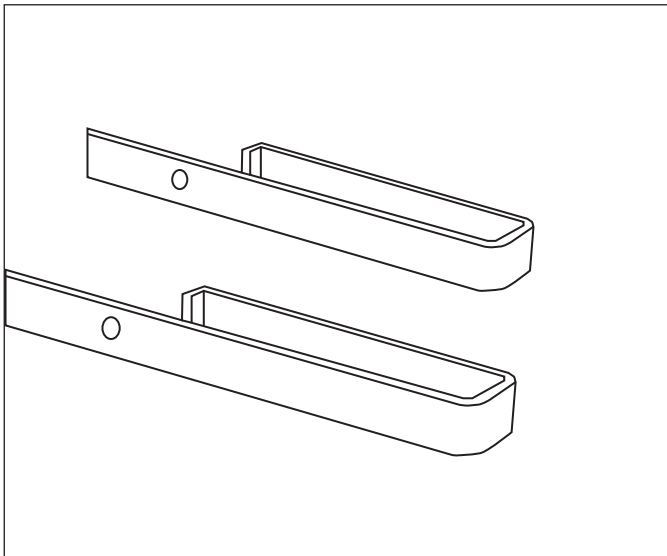
1. To prevent burns or injuries related to prolonged contact with the heating panel, children, those who suffer from sensitive skin, the elderly, the sick or those who are taking any medication that causes drowsiness should take extra care around the appliance.
2. Do not damage, destroy, change, bend, stretch or press the power cord, otherwise it may result in fire or electric shock.
3. Ensure that the usage voltage remains between 220-240V, 50Hz and that the power supply is grounded.
4. The heating panels will draw more current than small appliances when in operation. 180W, 350W, 580W, 700W & 900W panels will require a separate 5A socket, and 1200W panels will require a 6A socket.
5. Keep the heating panel away from flammable products to prevent the risk of fire.
6. Please ensure that there are no objects placed within 30cm of the front of the panel, and within 30cm of the sides of the panel.
7. Please ensure that the panel is not mounted directly to the ceiling, unless you have a suspended ceiling. For all other ceiling installations, either a suspension kit with a minimum gap of 50mm between the panel and ceiling must be used, or a ceiling bracket.
8. Please do not jump or stand on the panel, or apply strong pressure to it.
9. Never cover the heater with any materials that retain heat well, such as towels, quilts or carpets, etc.
10. Be sure to unplug the power cord from the mains in the event that you need to clean the heating panel, and wait until it has completely cooled down. Please ensure that you use a dry cloth, and avoid using gasoline or Acetone on the appliance.

SPECS TABLE

	Available Sizes	Rated Power	Amps	Heated Area
Frameless	595mm x 595mm	350W	1.46A	5 - 6m ²
	605mm x 1005mm	580W	2.42A	9 - 10m ²
	595mm x 1195mm	700W	2.92A	11 - 12m ²

CEILING BRACKET INSTALLATION (SEPARATELY SOLD)

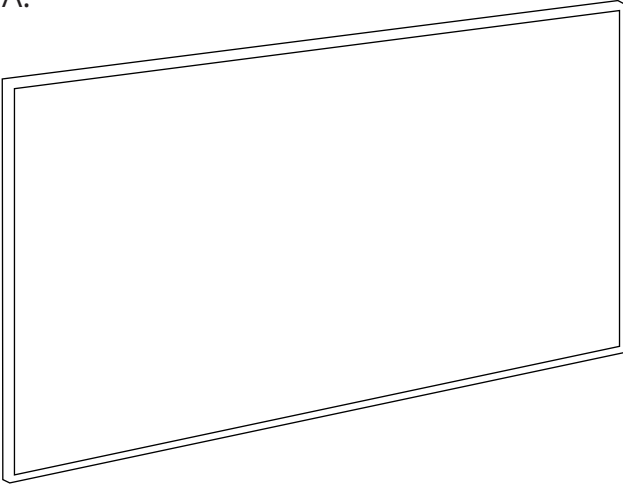
350mm Bracket is only compatible with 350W, 580W, 700W NXT Gen Panels, & 580W, 700W Classic Panels.



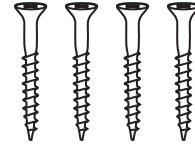
1. Drill into your ceiling and mount both ceiling brackets.
2. Remove the end caps from the aluminium alloy hanging bracket on the back of your panel.
3. Carefully slide the panel hanging brackets over the ceiling bracket and ensure it is held in place.

INCLUDED IN THE BOX

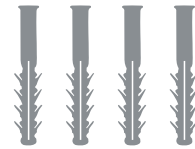
A.



B.



C.



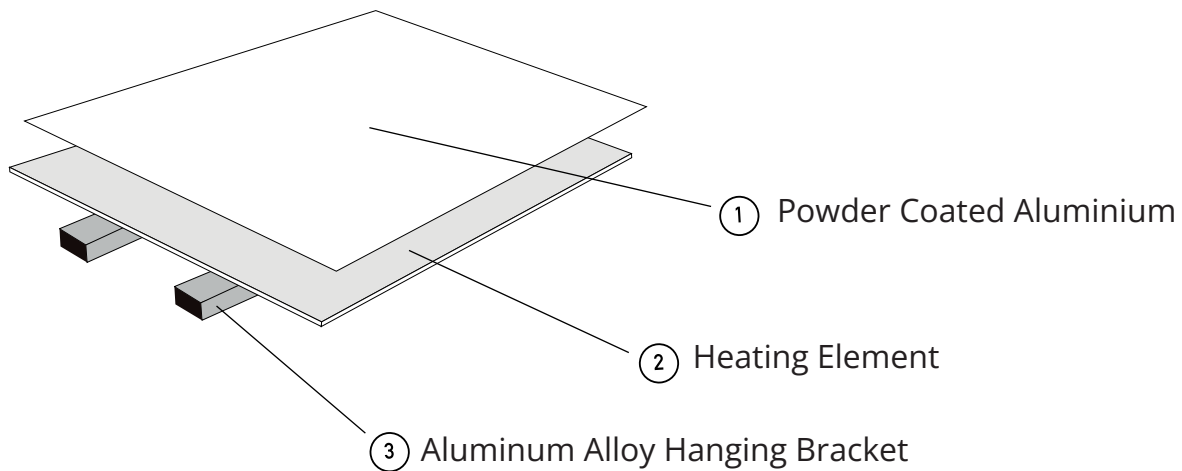
D.



- A. Infrared Heater
- B. Screws
- C. Wall Plugs
- D. Mounting Template

- This infrared panel heater is designed to provide an efficient, comfortable and healthy heating system for all domestic users and homeowners.
- This infrared panel heater can reduce air circulation and help create and maintain a clean, silent and dust free environment.
- All infrared panel heaters should be wall mounted. If you would like to mount the panel on your ceiling, either use a suspension kit with a minimum 50mm gap, a set of ceiling brackets, or install it in a suspended ceiling.
- A wide range of panels are available in varying sizes, wattages and frames.

DEVICE STRUCTURE



- This panel comes with a Powder Coated Aluminium finish that helps provide a durable build that won't yellow over time, as well as maximising the performance of the heater itself.
- The carbon crystal heating element will distribute clean and efficient infrared heat throughout your space.
- The hanging bracket can be used to hang your panel on the wall, or used alongside your suspension kit or ceiling bracket.

You may need more than one panel to sufficiently warm your room. To calculate how many watts you will need, use the following formular.

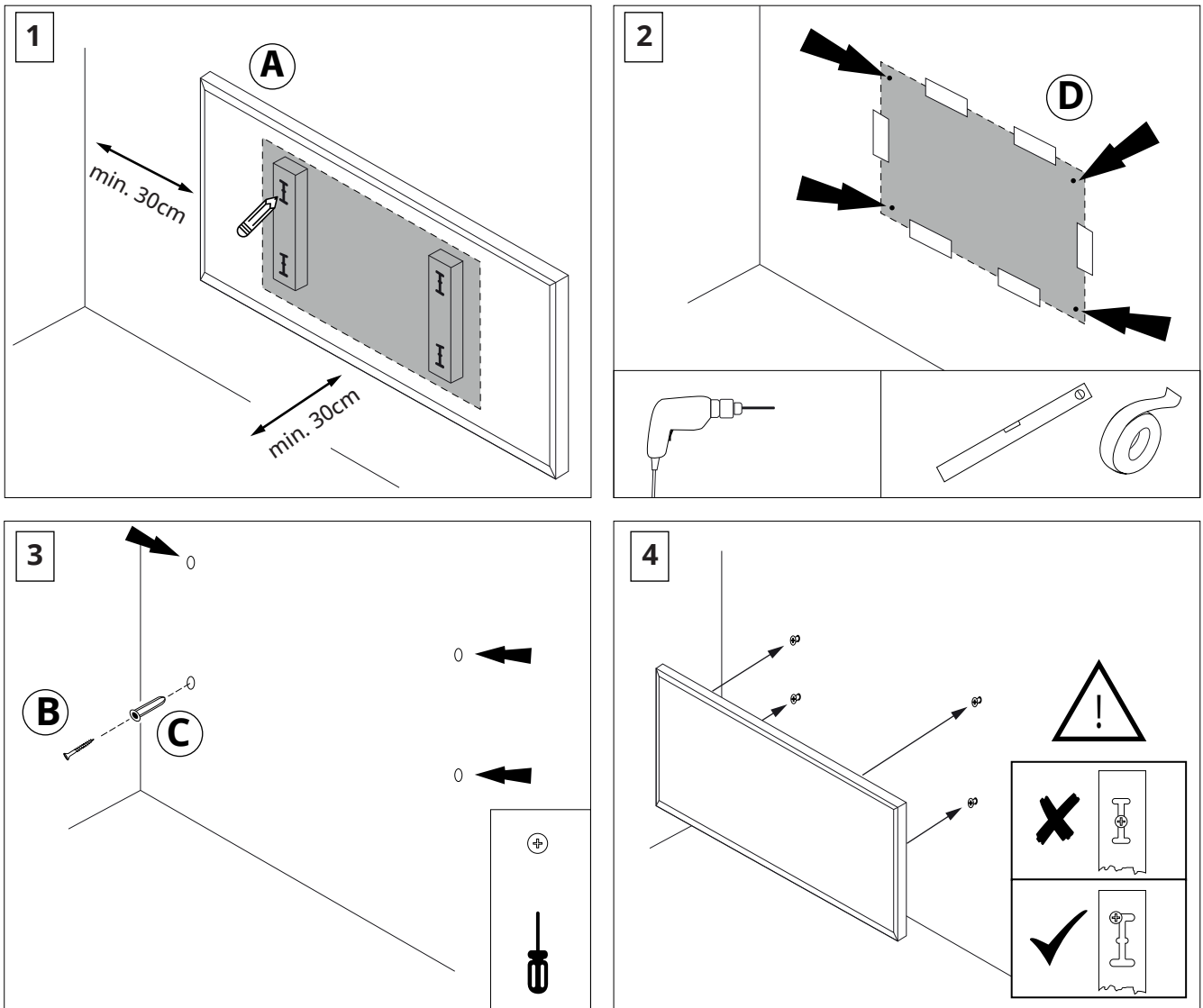
Length (m) x Width (m) x Height (m) = Volume (m³)

For well insulated properties: Volume (m³) x 25 = Wattage Requirement

For moderately insulated properties: Volume (m³) x 30 = Wattage Requirement

For poorly insulated properties: Volume (m³) x 35 = Wattage Requirement

WALL INSTALLATION



1. Use the supplied paper to cover the back of the panel, and use a pencil to mark the locations of the holes.
2. Use some double sided adhesive tape to fix the paper onto the wall or ceiling. Use this template to drill the holes.
3. Insert the wall plugs into the holes.
4. Insert the screws into the wall plugs. The screws should protrude from the wall by around 5mm.
5. Mount the panel onto the 4 screws.

MAINTENANCE & SERVICING

1. This infrared heating panel requires no servicing, and very little maintenance.
2. When cleaning any Frameless panel, you can use a damp cloth and gently wipe the surface of the panel.
3. Dismantling or attempting to repair the panel yourself should not be done under any circumstances, as this will immediately void your warranty

TROUBLE SHOOTING

Symptom	Cause/Solution
The heater will not turn on	Double check that the heater is connected to a power source, and that there is no damage to the flex cable.
	Try connecting a working electrical appliance to the same socket to determine the circuit is working.
	If the heater has a manual on/off switch, check that it is in the 'on' position.
	If your heater utilises a remote control, ensure that the batteries have not ran flat by swapping in new batteries.
There is a strange smell coming from the heater	This is normal upon first use, as the heating element burns off the protective oils used to guard it during transit.
The heater is overheating	Switch the heater off at the mains and let it cool down completely. Switch the heater back on and if the problem persists, contact the retailer immediately.
The heater is overheating	If you are using a thermostat, this may be causing the issue. Either try a different thermostat or contact your local electrician to investigate the symptom.
	If your panel is ceiling mounted, ensure that there is adequate gap between the ceiling and the panel by lowering the suspension cable.
The heater is not warming the room up.	Your heater may not be the correct power for the room. Consult our wattage calculator located on every product page to determine the correct number of heaters for your room.
The heater is making a strange noise	This is normal upon first use, and can persist longer term to a lesser extent. The reason is that the heating element will expand slightly as it gets hotter, and then contract slightly when it cools. retailer immediately.

- When installing the panel on your ceiling, you must use a Suspension Kit and leave a space of at least 50mm between the ceiling and the panel, or use a Ceiling Bracket. Our panels can be installed on your wall in both portrait and landscape orientations.
- Before drilling any holes or making any other permanent modifications to your home, please ensure that the panel(s) you have are sufficient for the room you're installing them in. You can calculate your cubic space by multiplying the Length by the Width, and then multiplying the result by the Height of your room, all in Metres. This will give you the cubic capacity of your room in m³. Then, if your home is well insulated, multiply your cubic capacity by 25 to give you your required wattage. If your home is moderately insulated, multiply your cubic capacity by 30, and if your home is poorly insulated, multiply your cubic capacity by 35.
- The above calculations are based on optimum conditions. If you feel your room or property does not meet optimum insulation, shape, dimensions or anything else, please consult a sales agent before purchase.
- Once installed, you may begin to notice dark marks appear on your wall and ceiling, and even on the heater itself. This is completely normal, and happens with all heaters. It is the result of dust, dirt, and external gases staining surfaces in the vicinity of the heater as a result of the movement of air around the heater itself. This is nothing to be concerned about, and will not affect the operation of the heater.

DISPOSAL



Electrical appliances such as this infrared heater should not be disposed of with other household waste, and should be recycled at special facilities. Check with your local authorities or retailer for advice concerning disposal and recycling.

MIRRORSTONE

INFRARED HEATING



sales@mirrorstone.co.uk

www.mirrorstoneheating.co.uk

86 Scudamore Road Leicester, LE3 1UQ

+44 (0) 116 436 2250