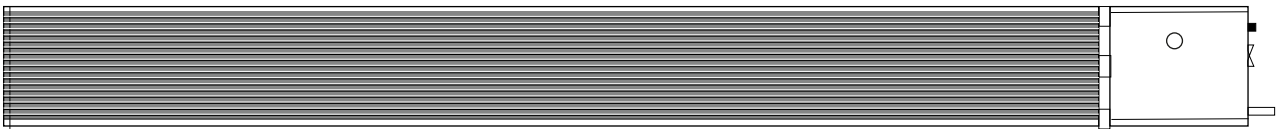
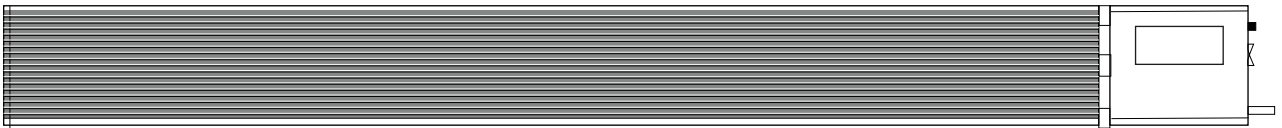


MIRRORSTONE

INFRARED HEATING

ZENOS INFRARED BAR HEATER MANUAL



MS-ZEN-12J/MS-ZEN-18J/MS-ZEN-24J/MS-ZEN-30J
MS-ZEN-12W/MS-ZEN-18W/MS-ZEN-24W/MS-ZEN-30W



CONTENTS

1. Before using your heater for the first time	3
2. Important Safeguard	3
3. Installation Guide	6
4. Product Instructions for Non-Remote Controllable Zenos Heaters	9
5. Product Instructions for Remote Controllable Zenos Heaters	11
6. Wi-Fi Operation	14
7. Using the 7-day Timer With Your Heater	17
8. Warning	18

BEFORE USING YOUR HEATER FOR THE FIRST TIME

Please read all the instructions in this manual carefully, even if you have prior experience of using an infrared heater. This manual should be kept in a safe place for future reference.

Should you need to make any kind of warranty claim with the manufacturer, you will need to make note of the complete model number (located on the product card at the back of the heater), the date on which you received the product, and your receipt of purchase.

The various ratings listed on the product card are based on specific loading tests performed in a controlled environment. Normal usage of use with other electrical equipment may result in different ratings.

Upon switching the heater on for the first time, you may notice a distinct smell and light smog. Please be aware that this is completely normal—this is simply the protective oils used on the element to protect it during production and transport burning off. Once the heater has been on in an open environment, any smell or smog will disappear over a short period of time.

IMPORTANT SAFEGUARDS

Please abide by the following safety precautions when using the heater, in order to minimise the risk of fire, electrical shock, injury or property damage:

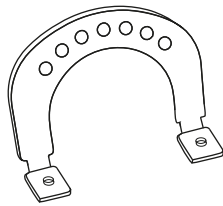
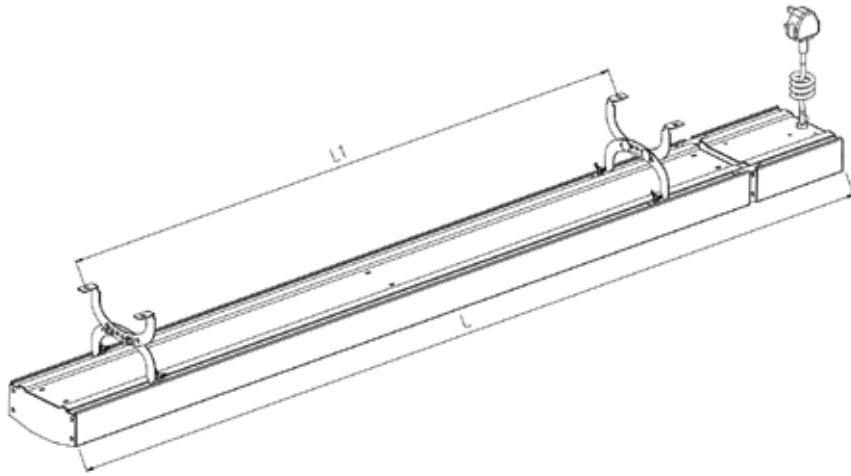
- Use only the voltage specified on the product card located at the back of the heater.
- Do not obstruct the front of the heater, or block the entry or exit of any airflow. There should be a clearance of at least 30cm around the front and sides of the heater.
- Do not use the product in close proximity to any other radiant heater source.
- Do not use the product in close proximity to gasoline, paint or any other highly flammable materials.
- Take extra care to ensure that the heater has been off for at least 1 hour before touching it with bare skin or moving it to another location.
- Keep the heater away from all kinds of liquid, ensuring that it does not become immersed in any liquid, as this could create an electrical shock.
- Do not use the heater if the plug, power cord, or connectors become damaged in any way.

- In the event of such an occurrence, please return the heater to a qualified electrician for examination, adjustment, service or repair.
- Do not touch the appliance with wet hands.
- The most common cause of overheating is dust or fluff deposits getting stuck in the heater.
- You can prolong the life and ensure the safety of your heater by disconnecting it regularly and vacuum cleaning the air vents and grilles.
- Ensure that the product is installed away from windows as any rain may cause an electrical shock.
- When cleaning the heater, only use a soft, damp cloth, and always ensure that the heater has been disconnected from the mains before cleaning. Do not use an abrasive cleaning cloth.
- Do not connect to the main supply until the heater has been completely installed.
- Do not use the heater in the immediate vicinity of any baths, showers, swimming pools, or any other areas where there is a high concentration of water.
- Do not tamper with the power cord while the heater is on.
- Using an extension cord with this product is not recommended.
- Please ensure that the power cord is disconnected when the heater is not on.
- This heater isn't suitable for use near long pile carpets or flokati rugs.
- Do not allow the power cord to come into contact with the heater when it is on.
- Do not leave the power cord loose around walkways or corridors, as this could be a tripping hazard.
- Do not twist, kink or wrap the cord around the heater, as this may cause the insulation to weaken and split.
- Do not store the heater away while it is still hot.
- The heater is not to be used by young children, the elderly or the vulnerable without supervision.
- Do not use the heater with more than one programmer or timer that will switch the heater on and off automatically. The remote controllable versions come with one built in. You can use an external one with the non remote versions.
- The cover and casing are designed to protect the heating elements inside the heater, and should not be tampered with or opened under any circumstances.
- The heater may be operated by children over the age of 8 and those who suffer from reduced physical, sensory or mental capabilities, provided they are supervised or have a complete understanding of the operation and general hazards involved with using the heater. Children should not play with the heater, and should not carry out any cleaning or maintenance of the heater.
- Children younger than 8 should not use the heater in any capacity, whether they are supervised or unsupervised.
The outer surface of the heater can get very hot and cause burns if contact is made with

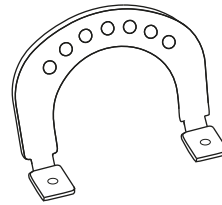
the skin for prolonged periods of time. Please pay attention when children or vulnerable people are present.

- The heater should be installed at a minimum of 2.2 metres from the floor.
- Should the power cord become damaged, it must be returned to the manufacturer, or be repaired by a qualified electrician.
- The heater should not be used in confined spaces with occupants who are unable to leave the room on their own.

INSTALLATION GUIDE

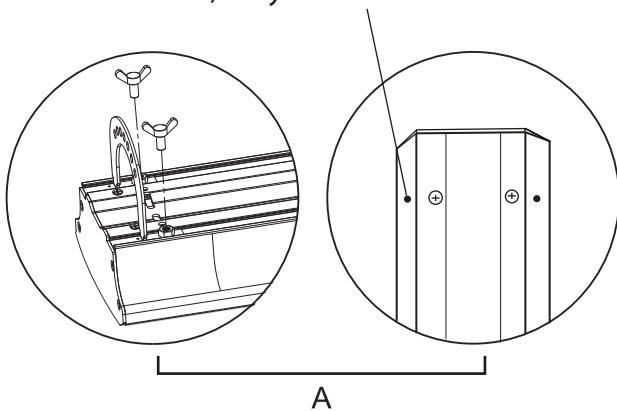


2x Brackets with notch

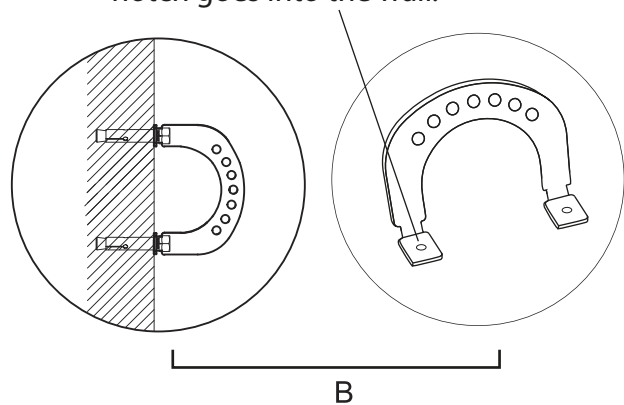


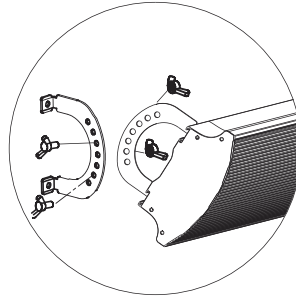
2x Brackets without notch

These holes at the back of the bar heater are not for the screws, they allow air to flow.



The brackets have a notch, the one with the notch goes into the bar heater, without the notch goes into the wall.





C

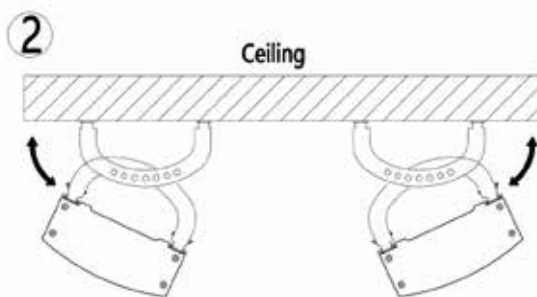
Step 1: Use the screws provided to install two of the brackets to the back of the heater, as shown in Fig. A.

Step 2: Use the screw provided to install two of the brackets to the wall or ceiling, as shown in Fig. B.

Step 3: Connect the brackets on the back of the heater to the brackets on the wall at your desired angle, using the wing nuts provided to fix them, as shown in Fig. C.

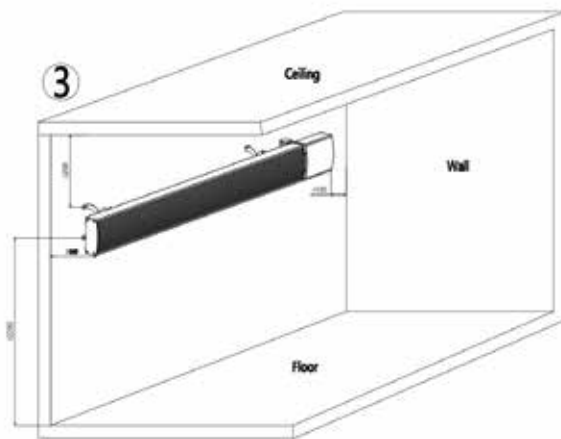


For ceiling installation: the distance between the side of the heater and the wall should be at least 100mm, as shown in Fig. 1.

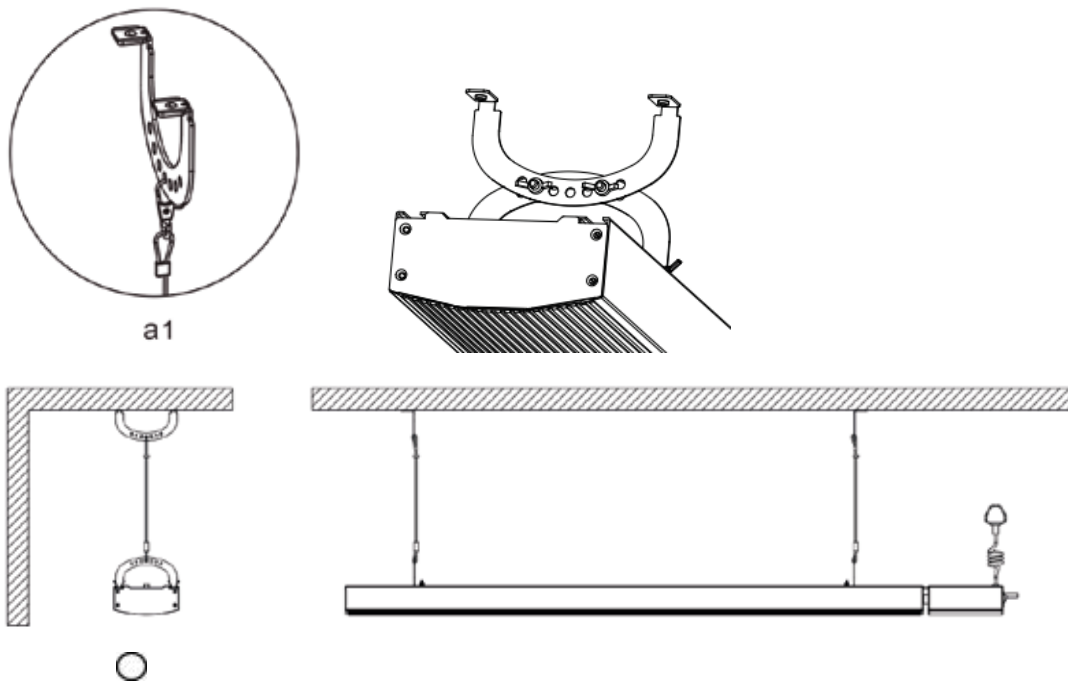


(Spare parts purchased separately)

For a double installation, both heaters are mounted through a connecting frame, which is installed on the ceiling, as shown in Fig. 2.

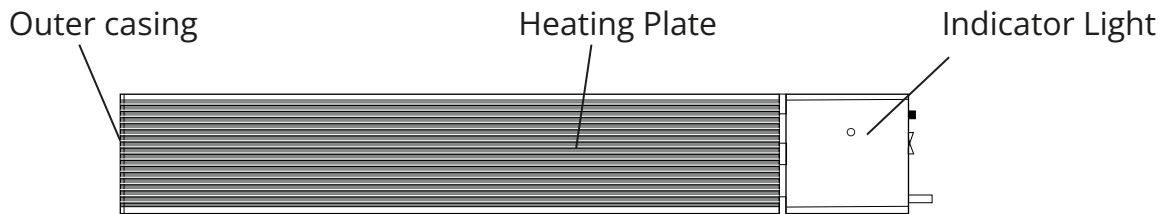


For wall installations, the height from the floor should be at least 1.8 metres, as shown in Fig.3.



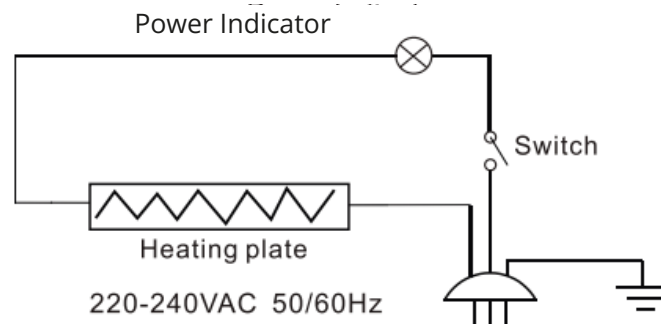
For suspended installation, the heater will hook up to the suspension cables and hang from the ceiling, as shown in Fig.4.

PRODUCT INSTRUCTIONS FOR NON-REMOTE CONTROLLABLE ZENOS HEATERS



Product Size

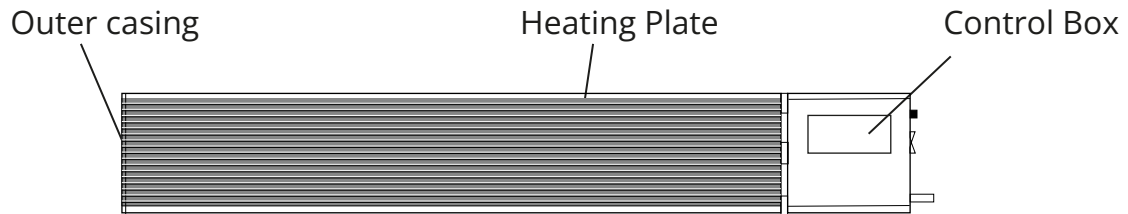
Model	Power	Length(mm)	Height(mm)	Depth(mm)
MS-ZEN-12J	1200W	940	150	67
MS-ZEN-18J	1800W	1240	150	67
MS-ZEN-24J	2400W	1540	150	67
MS-ZEN-30J	3000W	1840	150	67



1. Before first use, please read this manual carefully.
 - 1.1 When removing the heater from the box, please take care to ensure that you do not damage the heater, and that you retain the box for storage purposes.
 - 1.2 Install the heater according to the instructions provided in the manual.
 - 1.3 The heater should be connected to its own power supply, as it should not share a circuit with other high-power appliances, otherwise the circuit may overload.
2. Make sure the heater is OFF before adjusting it. Once plugged in, turn the heater on and the power indicator will light up.
3. To turn off the heater, ensure the power indicator is off, and then unplug the power plug. Please be aware that the front of the heater does get very hot when in operation, so
4. please take care to ensure you do not touch the heater when it is on.

-
5. When you require any service or repair, contact your local service centre or qualified electrician.
 6. Should the power cord become damaged, it must be replaced by a qualified electrician or the manufacturer.
 7. This heater is not intended for use by children or vulnerable people without supervision.

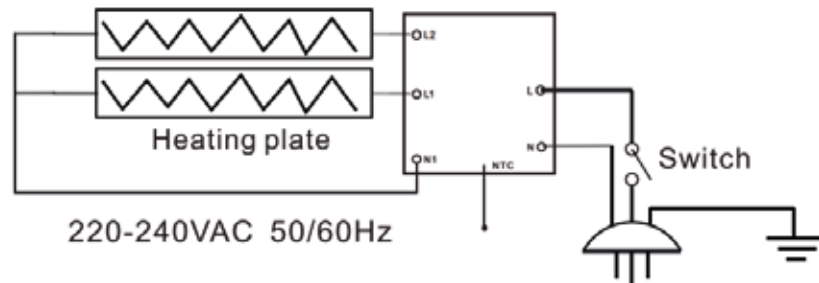
PRODUCT INSTRUCTIONS FOR REMOTE CONTROLLABLE ZENOS HEATERS



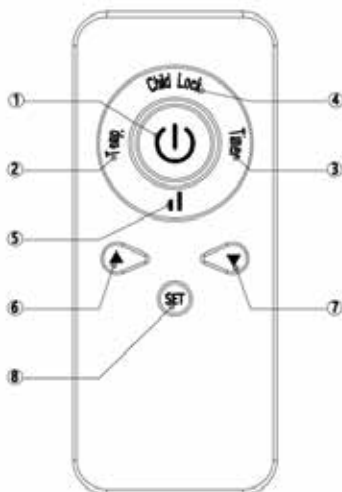
Product Size

Model	Power	Length(mm)	Height(mm)	Depth(mm)
MS-ZEN-12W	1200W	940	150	67
MS-ZEN-18W	1800W	1240	150	67
MS-ZEN-24W	2400W	1540	150	67
MS-ZEN-30W	3000W	1840	150	67

Circuit Diagram



Remote Control



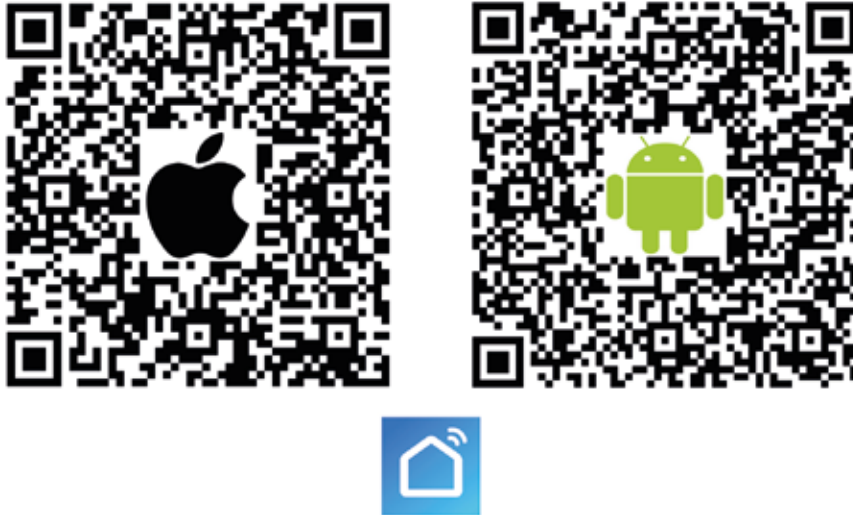
1. Power on/off buttons
2. Temperature button
3. Timer button
4. Child lock button
5. High/Low switch buttons
6. Up button
7. Down button
8. Set button

Please note: That the remote control is only available with MS-ZEN-12W, MS-ZEN-18W, MS-ZEN-24W and MS-ZEN-30W models. If you have purchased a non-remote Zenos Heater, you will not receive a remote control in the box.

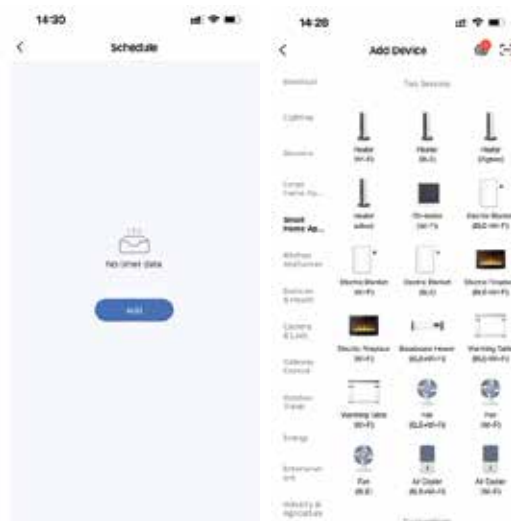
- 1 Before first use, please read the following points carefully.
 - 1.1 When removing the heater from the box, please take care to ensure that you do not damage the heater, and that you retain the box for storage purposes.
 - 1.2 Install the heater according to the instructions provided in this manual.
 - 1.3 The heater should be connected to its own power supply, and should not share a circuit with other high-power appliances, otherwise the circuit may overload.
2. Switching the heater on:
 - 2.1 Please ensure that the power switch located on the side of the heater is in the Off position before connecting to your electrical supply. To switch the heater on, put the power switch on the side of the heater into the On position. The display light on the front of the heater will light up, and display the current room temperature.
 - 2.2 To switch between Celsius and Fahrenheit, press Temp, Set and then Temp again.
 - 2.3 To lock the heater, press the Set button, followed by the Child lock button. You will see a square lock icon on the screen, and none of the buttons will be operational while it is locked. To unlock the heater, you can simply repeat the process.
 - 2.4 To toggle the screen on and off, press the Set button twice. The screen will power off. To turn the screen back on, simply press the Set button twice again.
 - 2.5 To use the automatic temperature control feature, press the Temp. button. You will see a temperature flashing on screen that you can adjust up and down using the Up/Down button. The maximum temperature you can set is 45 °C, and the lowest temperature you can set is 5°C. If your desired temperature is lower than the current room temperature, the heater will not emit any heat. If the desired temperature is higher than the current room temperature, the heater will begin emitting heat, and you will see the lights appear on the screen below the temperature display.
 - 2.6 To use the timer setting, press the Timer button again while you are setting your desired temperature. You will see a "00" flashing on the screen, along with a clock icon on the screen. Use the Up/Down button on the remote control to change the amount of time in hours that you would like the heater to be operational for. You can select any duration between 0 hours and 24 hours, in 1-hour increments. Once you are happy with your selection, simply leave the heater for a few seconds, and it will save your settings.
 - 2.7 By default, the heater comes with open window detection, where if the heater detects a drop in temperature by 3 °C or more within a 2 minute time window, it will automatically switch off to conserve energy and increase efficiency. When this happens, the display will flash and there will be a clicking sound. To override this, simply use the remote and to switch the heater back on.
 - 2.8 To reset the Wi-Fi setting on the heater, press Set, then Down. The Wi-Fi symbol will start rapidly flashing on screen.

-
- 2.9 To toggle between High Power and Low power, press the High/Low switch button. The indicator on the screen will switch from a full sun (High power) to a half sun (Low power) to tell you which setting it is on.
 3. To put the heater in standby, press the Set button twice. The display will switch off except for the high power and low power symbol. Press the Set button twice again to switch the heater back on.
 4. Please be aware that this heater will get hot whilst in use. To prevent injury, do not touch the heater when it is on, and allow at least 1 hour after disconnecting from the power supply before touching it.
 5. For repairs and servicing, please get in contact with your local repair centre or a qualified electrician.
 6. If there is any damage to the power cord, you must stop using the heater immediately, and get it repaired from either a local repair centre or a qualified electrician.
 7. This heater is not to be used by children or other vulnerable people without supervision from an adult.
 8. If there is any damage to the power cord, you must stop using the heater immediately, and get it repaired from either a local repair centre or a qualified electrician.
 9. This heater is not to be used by children or other vulnerable people without supervision.

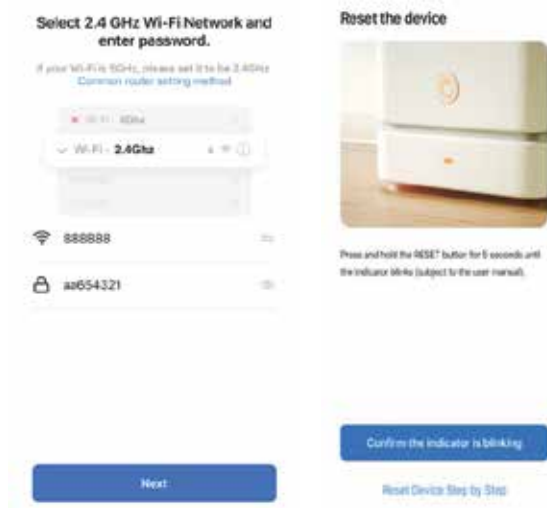
WI-FI OPERATION



- 1 Scan the QR code with your mobile phone, to download and install the Smart Life app. Create an account if you haven't already. Make sure to keep your password somewhere safe.
2. Open the app, click Add device, or click on the + in the top right corner, then select the electric heater option.



- Click OK, then connect to your Wi-Fi. Make sure you're using a 2.4GHz connection, as a 5GHz connection will not work. When scanning your available networks, if you see a single network belonging to you, then this will be the correct band. If you see two networks, the name of the network should help you identify which band it belongs to, so a 2.4GHz network will have 24G, 2.4, 24 or something similar in the name, whilst the 5GHz network will have 5 or 5G in the name).



- On the next screen, under the Small Home Appliances category on the left, scroll down and select "Heater" in the Life subcategory.



- On your remote, press the Set button followed by the Down to reset the Wi-Fi setting for the Bar Heater. You should see the Wi-Fi indicator begin to blink rapidly.
- Now on the app, confirm that the light is blinking rapidly, and enter your Wi-Fi network information (the name of the network and the password).
- The app will now scan for the heater, and connect once it has paired. Confirm on the next

screen that the LED light is blinking.

8. Enter your Wi-Fi network details on the next screen (network name and password), before connecting your phone to a new Wi-Fi network named "SmartLife_XXXX" where the "XXXX" will be randomised numbers.
9. Once you're connected to "SmartLife_XXXX", click the button that says Confirm the hot spot, next , the app will begin attempts to connect to the wireless temperature sensor.

USING THE 7-DAY TIMER WITH YOUR HEATER

1. On the home screen of the Smart Life app, press the Timer button in the bottom right corner.
2. Then, press Add in the middle of your screen.
3. On the next screen, you'll be able to choose your timer settings.
4. Use the sliders at the top of the screen to set what time you want your heater to switch on or off.
5. Press the Repeat button to set which days you would like the timer to occur on, if any.
6. Press the Note button to set a note for that particular timer setting.
7. Press the Switch button to set whether you want the heater to switch on or off at the time you have set.

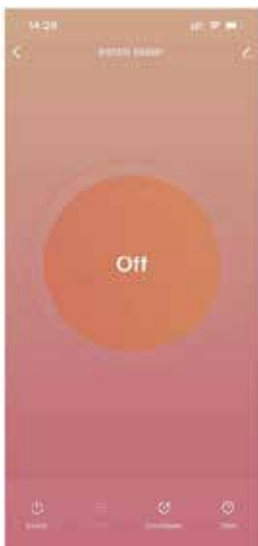


Figure 1

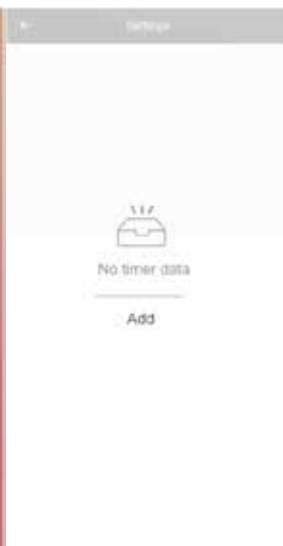


Figure 2



Figure 3



Figure 4



Figure 5



Figure 6



Figure 7



Figure 8

WARNING

1. Please ensure that the heater is installed correctly, as per this instruction manual, and that it is facing the correct way.
2. The heater should be installed in a place where the controls cannot be used by someone who is using a bath or a shower.
3. The heater should not be installed directly above an electrical socket.
4. Please consult a qualified electrician if there is any damage to the power cord on your heater.
5. Before moving your heater ,make sure it has sufficiently cooled down.
6. Do not leave young or vulnerable people unsupervised in a room when the heaters are in use.
7. Please ensure that the heater is not installed in close proximity to furniture,curtains or any other objects in the home that could be flammable.

When disposing of your heater ,please use your local rubbish collection facilities rather than using your general waste services. Contact your local council for information regarding these collection services.



MIRRORSTONE

INFRARED HEATING



sales@mirrorstone.co.uk

www.mirrorstoneheating.co.uk

86 Scudamore Road Leicester, LE3 1UQ

+44 (0) 116 436 2250